

Contact- Temperature Sensor

Contact- temperature sensor

passive Pt1000, incl. connection set

Order number:	010.17419
Order code:	Contact- temperature sensor



Overview:

Contact- temperature sensor for pipe applications. Spring-loaded brass pin guarantees fast response times and accurate measurements. NEMA 4X / IP65 certified housing.

Typical applications:

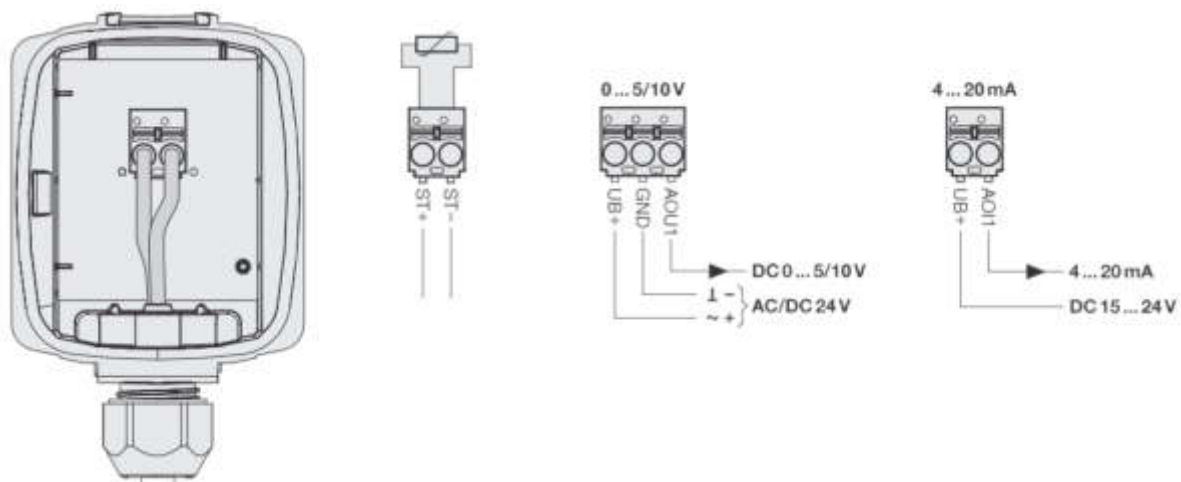
- - Building automation
- - storage rooms
- - air conditioning and ventilation systems
- - heating control

Remarks:

General notes on sensors

With passive sensors in two-wire design, the accuracy of the measurement can be influenced as a result of self-heating. Therefore, the supply current should not be greater than 1 mA. When using long connection cables (depending on the wire cross section used), the cable resistance must be taken into account. The lower the impedance of the sensor used, the greater the line resistance affects the measurement, because it generates an offset.

Connection diagram:



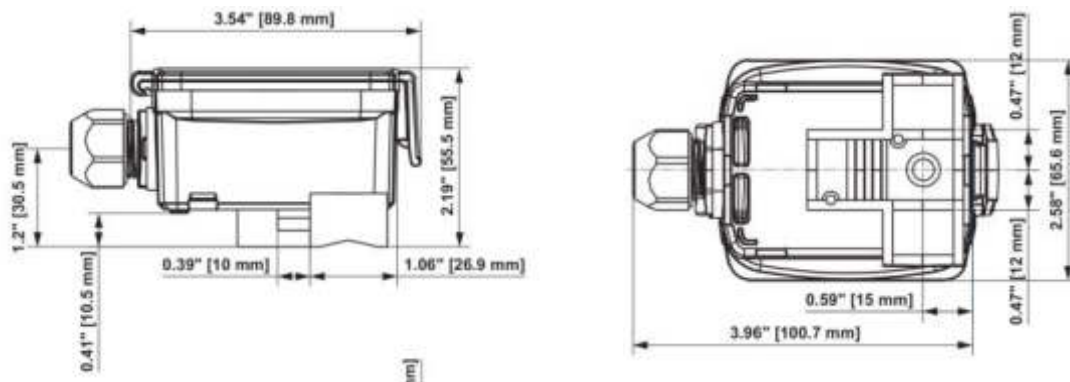
Contact- Temperature Sensor

Safety instructions:

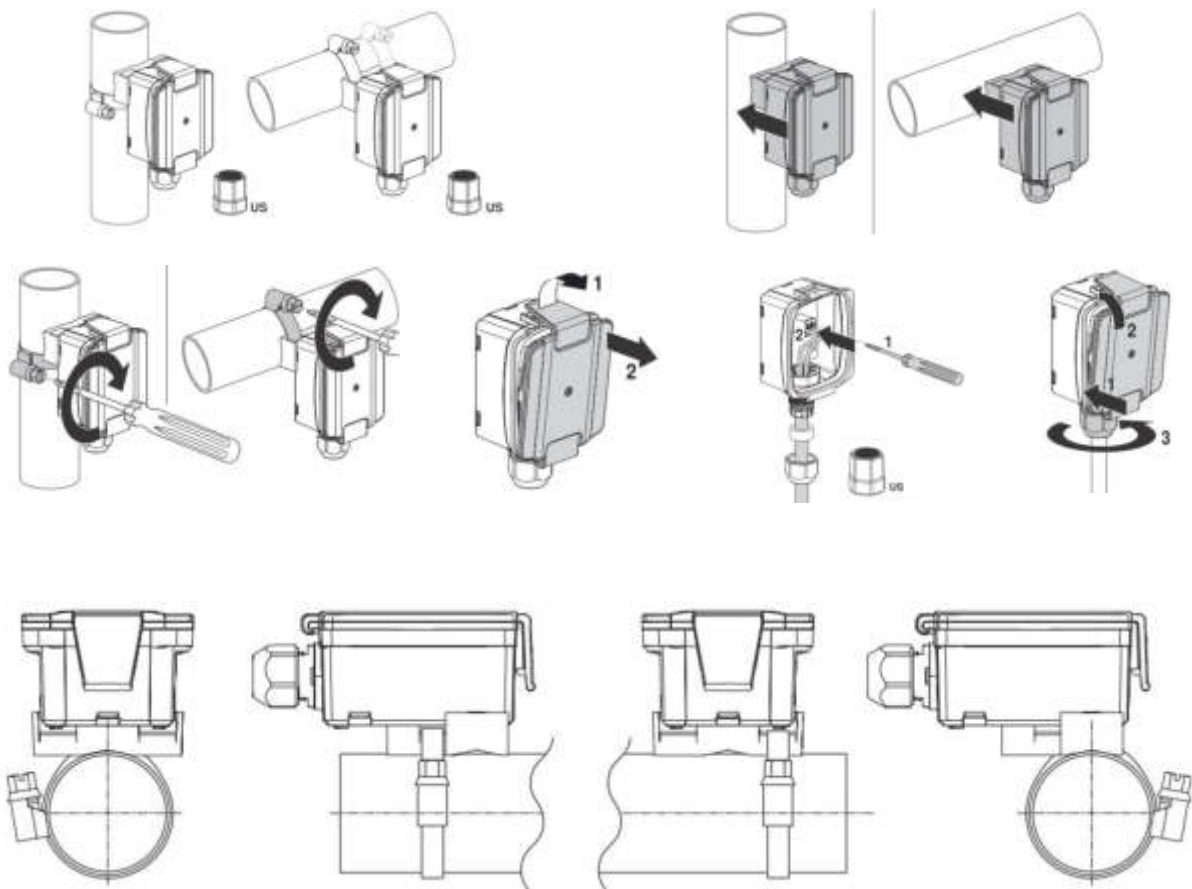
This device is designed for use in stationary heating, ventilation and air conditioning systems and must not be used for applications outside the specified area of application. Unauthorized modifications are prohibited. The device must not be used in combination with other equipment that can injure people, animals or property in the event of a malfunction.

It must be ensured that the power supply is not connected when the device is installed. Do not connect to running devices. The installation must be carried out by authorized specialist personnel. The legal and official regulations must be observed. The device contains electrical and electronic components and must not be disposed of as domestic waste. The local and currently valid legislation must be observed.

Dimensions:



Installation instruction:



Contact- Temperature Sensor

Scope of delivery:

Contact- temperature sensor for pipe applications, Mounting bracket, for pipes up to Ø 40 ... 110 mm

Technical specifications:

Intrastat number:	8537.10.91.90
Country of origin	EU/AT
Height, width, depth (in mm)	102x65,5x55,5
Weight (in kg)	0,150
Electrical connection	Spring-type terminal plug-in max. 2.5 mm ²
Cable entry	Cable gland with strain relief Ø6 ... 8 mm
Passive temperature output signal	Pt1000
Application	Water
Readings	Temperature
Passive temperature accuracy	Passive sensors depending on the type used Pt ...: Class B, ± 0.3 °C @ 0 °C [± 0.5 °F @ 32 °F] Ni ...: ± 0.4 °C @ 0 °C [± 0.7 °F @ 32 °F] NTC ...: ± 0.2 °C @ 25 °C [± 0.35 °F @ 77 °F]
Time constant t (63%) on the water pipe	typically 16 s
Cable gland	PA6, black
Casing	Lid: Lexan, orange Below: Lexan, orange Seal: 0467 NBR70, black UV-resistant
Ambient humidity	Max. 95% r.H., non-condensing
Ambient temperature	-35...50°C [-30...120°F]
Medium temperature	-35...90°C [-30...195°F]
Housing surface temperature	Max. 90°C [195°F]
Protection class IEC / EN	III safety extra low voltage (SELV)
Protection class UL	UL Class 2 Supply
EU conformity	CE marking
IEC / EN certification	IEC/EN 60730-1
UL certification	cULus acc. to UL60730-1A/-2-9, CAN/CSA E60730-1:02/-2-9
Degree of protection IEC / EN	IP65
Degree of protection NEMA / UL	NEMA 4X
Quality standard	ISO 9001