

# Communication base module CM12

## Terminal diagram:

### Supply connections:

L	Supply 230VAC
N	Supply 230VAC
PE	
L	Supply 230VAC
N	Supply 230VAC
PE	
+36V	Output terminal 36VDC (intended for replenishment)
0V	GND (intended for replenishment)
+5V	Output terminal 5VDC
0V	GND

### Interface ports:

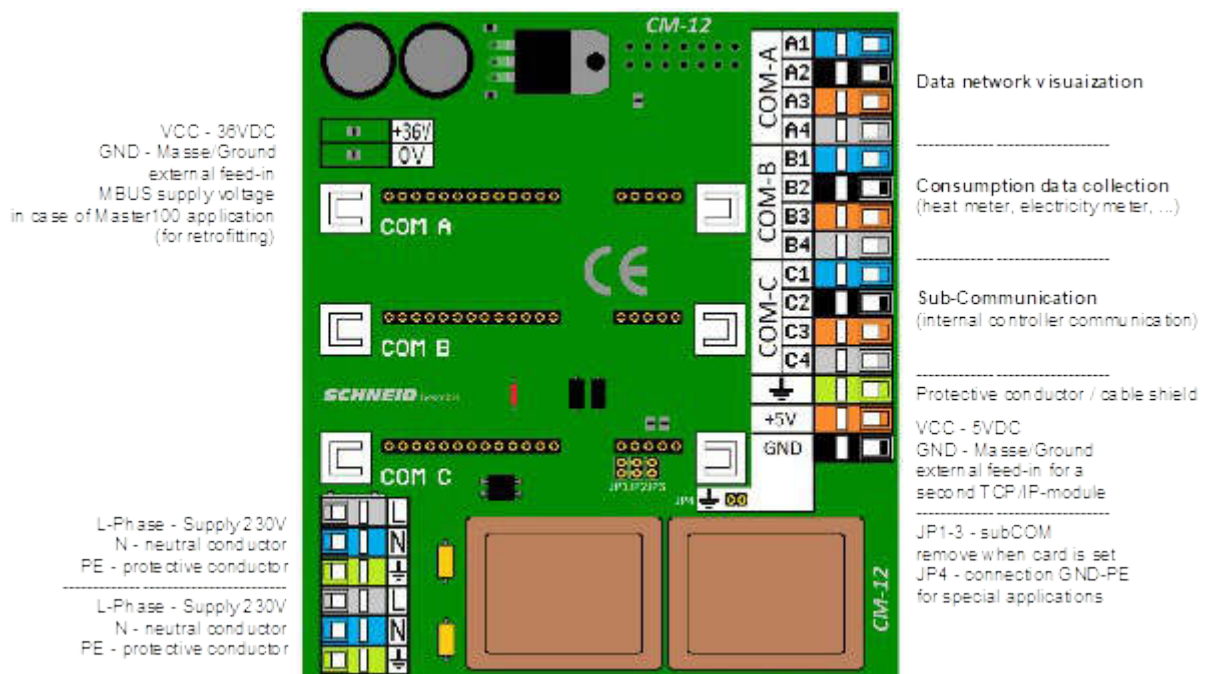
Controller Connector: 14-pin

There are 3 pc slots for communication plug-in cards on the module. The slots COM-A, COM-B and COM-C are connected to terminals.

### Links:

COM-A	to terminals A1-A4
COM-B	to terminals B1-B4
COM-C	to terminals C1-C4

Depending on the interface card, the terminals 1-3 have different assignments. These are described in the individual maps.

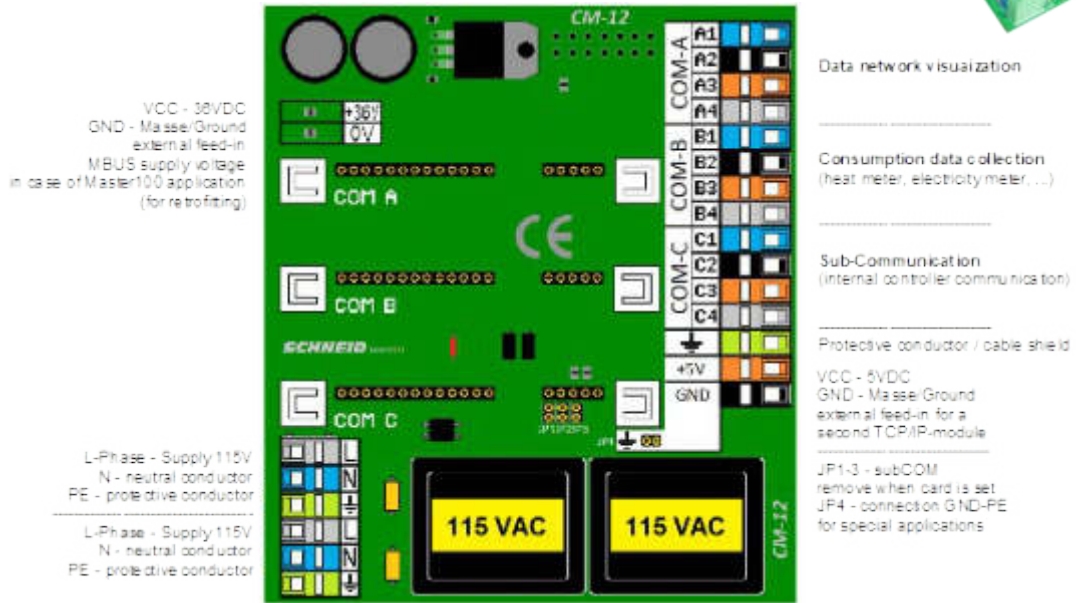
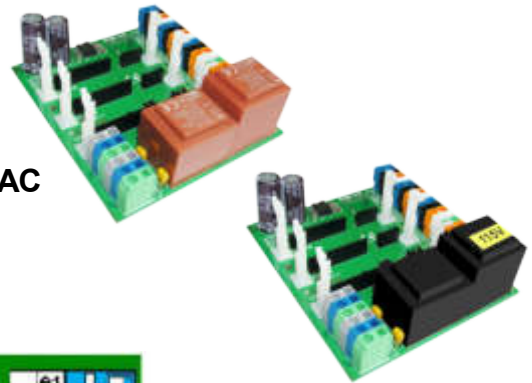


# Communication base module CM12

## Variants:

**SCHNEID Communication base module CM12**  
**for SCHNEID module controller MR08\*, MR12 (\*after 2013)**  
 Order number: 130.17368  
 Order code: Kommunikationsbasismodul CM12

**SCHNEID Communication base module CM12 115VAC**  
**for SCHNEID module controller MR08\*, MR12 (\*ab 2013)**  
 Order number: 130.17447  
 Order code: Kommunikationsbasismodul CM12 115VAC



## Possible combinations:

With the production date from 06/2013 and from batch C # 22293, the communication connection on the MR08 module controller is changed from 10 to 14 poles. The MR12 module controller also has a 14-pin communication connection.

<p>CM12 - 14-pin</p> 	<p>MR08 (after 2013) &amp; MR12 - 14-pin</p> 
<p>CM12 - 14-pin</p> 	<p>MR08 (vor 2013) - 10-pin</p> 
<p><b>! ATTENTION: NOT POSSIBLE</b></p>	