

# Outdoor sensor with plastic housing



Schneid GesmbH | Gewerbering 16 | A-8054 | Graz/Pirka | Tel: +43 (316) 285022

Products, data sheets, documentation, MR12-SCHEMA-calculator: [www.schneid.at](http://www.schneid.at)

## Outdoor sensor with plastic housing

Color: white

**Order number:** 010.07987

**Order code:** Außenfühler mit Kunststoffgehäuse



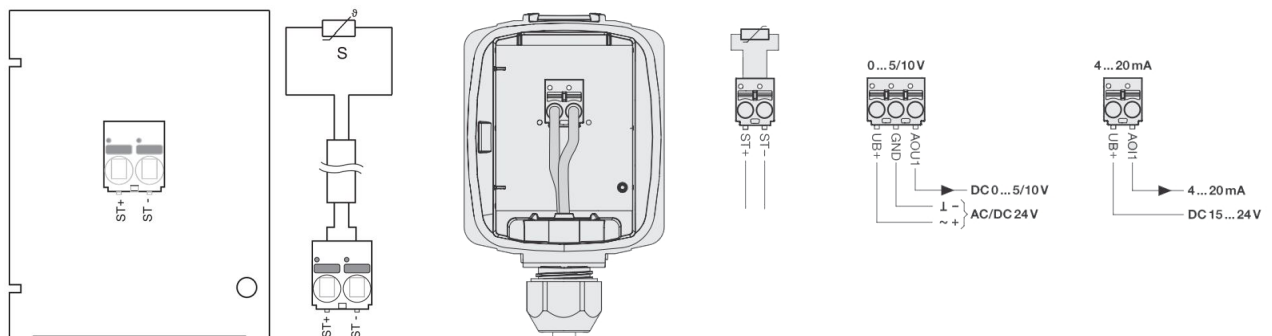
## Overview:

For measuring the temperature outdoors.

Outside temperature sensors are the ideal solution for the HVAC sector and allow cost-effective temperature measurement. The robust, impact-resistant housing enables use both outdoors and indoors. The sensor is installed using straight screws on straight surfaces (wall area).

The sensor finds its main areas of application wherever precise temperature detection in weather-dependent areas is concerned, e.g. in industrial, agricultural, cold and greenhouses as well as in production and storage halls and in building automation. The housing meets the NEMA 4X / IP65 requirements. The sensor is mounted on the circuit board in the housing.

Passive temperature output signal: Pt1000



## Remarks:

General notes on sensors

With passive sensors in two-wire design, the accuracy of the measurement can be influenced as a result of self-heating. Therefore, the supply current should not be greater than 1 mA.

When using long connecting cables (depending on the wire cross section used), the cable resistance must be taken into account. The lower the impedance of the sensor used, the greater the line resistance affects the measurement, because it generates an offset.

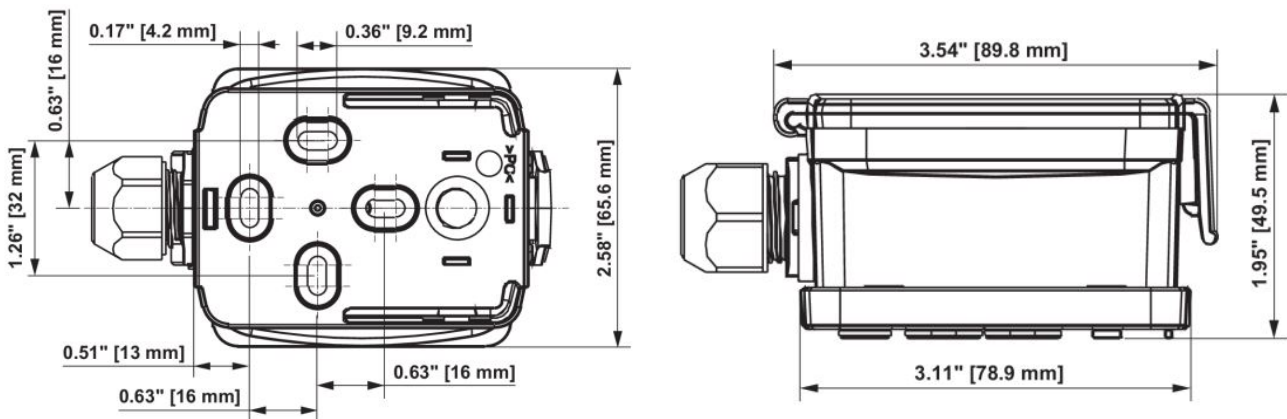
# Outdoor sensor with plastic housing

## Safety instructions:

This device is designed for use in stationary heating, ventilation and air conditioning systems and must not be used for applications outside the specified area of application. Unauthorized modifications are prohibited. The device must not be used in combination with other equipment that can injure people, animals or property in the event of a malfunction. It must be ensured that the power supply is not connected when the device is installed. Do not connect to running devices.

The installation must be carried out by authorized specialist personnel. The legal and official regulations must be observed. The device contains electrical and electronic components and must not be disposed of as domestic waste. The local and currently valid legislation must be observed.

## Dimensions:



## Installation instruction:

