

# Pressure sensor 0-16 bar for liquid media



Schneid GesmbH | Gewerbering 16 | A-8054 | Graz/Pirka | Tel: +43 (316) 285022

Products, data sheets, documentation, MR12-SCHEMA-calculator: [www.schneid.at](http://www.schneid.at)

## Pressure sensor 0-16 bar for liquid media

Connection G 1/4 inch, DC 24 V, output signal 4 - 20 mA

**Order number:** 010.17421

**Order code:** Drucksensor 0-16 bar für flüssige Medien

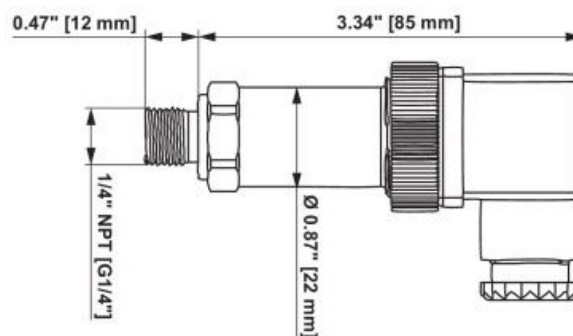


### Overview:

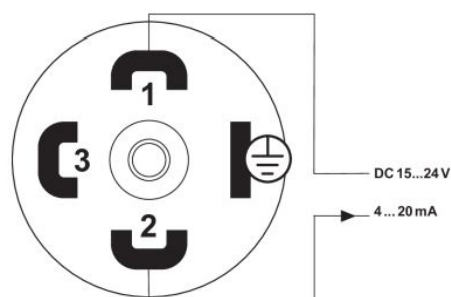
Active sensor (4 ... 20 mA) for pressure detection in HVAC systems. The sensor is suitable for water and water / glycol mixtures. The housing is made of stainless steel and is NEMA 4 / IP65 compliant.

Measuring range pressure	Output signal active pressure	Overload range	Burst pressure
0...16 bar	4...20 mA	32 bar	48 bar

### Dimensions:



### Connection diagram:



# Pressure sensor 0-16 bar for liquid media

## Safety instructions:

This device is designed for use in stationary heating, ventilation and air conditioning systems and must not be used for applications outside the specified area of application. Unauthorized modifications are prohibited. The device must not be used in combination with other equipment that can injure people, animals or property in the event of a malfunction.

It must be ensured that the power supply is not connected when the device is installed. Do not connect to running devices.

The installation must be carried out by authorized specialist personnel. The legal and official regulations must be observed. The device contains electrical and electronic components and must not be disposed of as domestic waste. The local and currently valid legislation must be observed.

## Assembly Instructions:

EU: G 1/4"  
US: 1/4" NPT

15 GA [0.5...1.5mm]  
0...24...0...31" [6...8mm]

**A** **B**

	22WP-11../22WP-51..	22WP-13../22WP-53..
	0...10 V	4...20 mA
1	Uv: AC/DC 15...24 V / AC 24 V	Uv: DC 15...24 V
2	GND	GND Out 4...20 mA
3	Out 0...10 V	

# Pressure sensor 0-16 bar for liquid media

## Scope of delivery:

Pressure sensor 0-16 bar for liquid media

## Technical specifications:

Intrastat Number:	8537.10.91.90
Country of origin	EU/AT
Height, width, depth (in mm)	97x22x50
Weight (in kg)	0,12
DC power supply	15 ... 24 V, $\pm 10\%$ , 0.5 W
Electrical connection	Connector for wire 0.5 ... 1.5 mm <sup>2</sup>
Cable entry	MVS connector according to DIN EN175301-803 / type A
Sensor technology	Strain gauges on precious metal
Output signal active Note	Max. Load (U <sub>b</sub> -12V) / 20 mA
Mechanical connection	Pressure plug: G1 / 4 "
Application	Water; Water / glycol mixture
Response time	Max. 2 ms
Readings	Gauge pressure
Accuracy pressure	$\pm 0.5\%$ FS @ 25 ° C
Total error for end temperatures	at maximum temperatures -40 ° C: $\leq 2\%$ FS 105 ° C: $\leq 2\%$ FS
Housing seal	FKM fluororubber, silicone-free
Casing	stainless steel 1.4301
Ambient humidity	Max. 95% r.H., non-condensing
Ambient temperature	-40 ... 105 ° C [-40 ... 220 ° F]
Medium temperature	-40 ... 125 ° C [-40 ... 255 ° F]
Protection class IEC / EN	III protective extra low voltage (PELV)
EU conformity	CE marking
IEC / EN certification	IEC / EN 60730-1
Degree of protection IEC / EN	IP65
Degree of protection NEMA / UL	NEMA 4
Quality standard	ISO 9001