

Pressure sensor 0-16 bar for liquid media



Schneid GesmbH | Gewerbering 16 | A-8054 | Graz/Pirka | Tel: +43 (316) 285022

Products, data sheets, documentation, MR12-SCHEMA-calculator: www.schneid.at

Pressure sensor 0-16 bar for liquid media

Connection G 1/4 inch, DC 24 V, output signal 4 - 20 mA

Order number: 010.17421

Order code: Drucksensor 0-16 bar für flüssige Medien

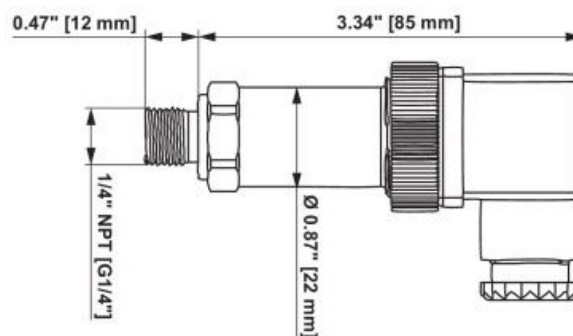


Overview:

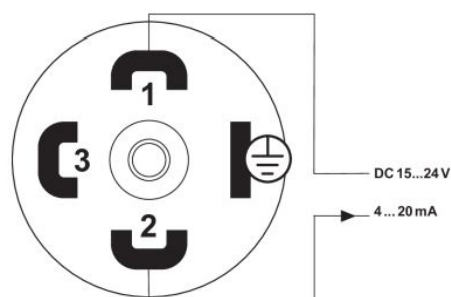
Active sensor (4 ... 20 mA) for pressure detection in HVAC systems. The sensor is suitable for water and water / glycol mixtures. The housing is made of stainless steel and is NEMA 4 / IP65 compliant.

Measuring range pressure	Output signal active pressure	Overload range	Burst pressure
0...16 bar	4...20 mA	32 bar	48 bar

Dimensions:



Connection diagram:



Pressure sensor 0-16 bar for liquid media

Safety instructions:

This device is designed for use in stationary heating, ventilation and air conditioning systems and must not be used for applications outside the specified area of application. Unauthorized modifications are prohibited. The device must not be used in combination with other equipment that can injure people, animals or property in the event of a malfunction.

It must be ensured that the power supply is not connected when the device is installed. Do not connect to running devices.

The installation must be carried out by authorized specialist personnel. The legal and official regulations must be observed. The device contains electrical and electronic components and must not be disposed of as domestic waste. The local and currently valid legislation must be observed.

Assembly Instructions:

	22WP-11../22WP-51.. 0...10 V	22WP-13../22WP-53.. 4...20 mA
1	Uv: AC/DC 15...24 V / AC 24 V	Uv: DC 15...24 V
2	GND	GND Out 4...20 mA
3	Out 0...10 V	