

SPC-MC1 Complete Assembly

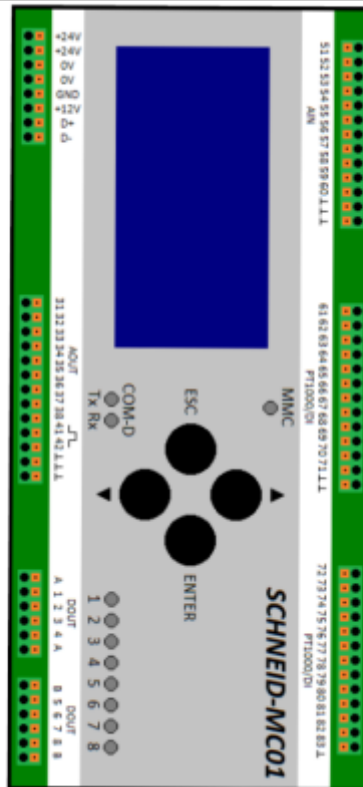
Microprocessor-controlled control device

Terminal plan:

+24VDC supply 24V
 +24VDC supply 24V
 0V
 0V
 GND
 +12VDC supply 12V
 D+ COM-D
 D- COM-D

Terminal 31 AOUT 1
 Terminal 32 AOUT 2
 Terminal 33 AOUT 3
 Terminal 34 AOUT 4
 Terminal 35 AOUT 5
 Terminal 36 AOUT 6
 Terminal 37 AOUT 7
 Terminal 38 AOUT 8
 Terminal 41 Pulse input 1
 Terminal 42 Pulse input 2
 GND
 GND
 GND

Terminal A 230VAC or 24VDC
 Terminal 1 DOUT 1
 Terminal 2 DOUT 2
 Terminal 3 DOUT 3
 Terminal 4 DOUT 4
 Terminal A 230VAC or 24VDC
 Terminal B 230VAC or 24VDC
 Terminal 5 DOUT 5
 Terminal 6 DOUT 6
 Terminal 7 DOUT 7
 Terminal 8 DOUT 8
 Terminal B 230VAC or 24VDC

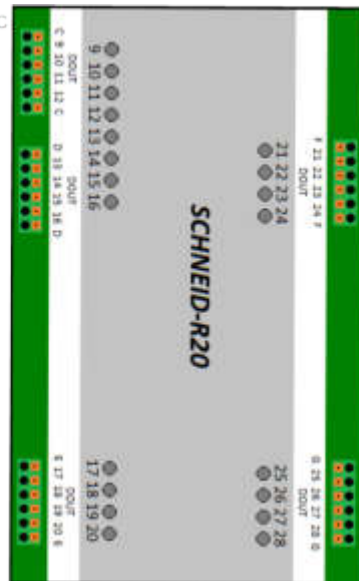


Terminal 51 AIN 1
 Terminal 52 AIN 2
 Terminal 53 AIN 3
 Terminal 54 AIN 4
 Terminal 55 AIN 5
 Terminal 56 AIN 6
 Terminal 57 AIN 7
 Terminal 58 AIN 8
 Terminal 59 AIN 9
 Terminal 60 AIN 10
 GND
 GND
 GND

Terminal 61 PT1000/DIN 1
 Terminal 62 PT1000/DIN 2
 Terminal 63 PT1000/DIN 3
 Terminal 64 PT1000/DIN 4
 Terminal 65 PT1000/DIN 5
 Terminal 66 PT1000/DIN 6
 Terminal 67 PT1000/DIN 7
 Terminal 68 PT1000/DIN 8
 Terminal 69 PT1000/DIN 9
 Terminal 70 PT1000/DIN 10
 Terminal 71 PT1000/DIN 11
 GND
 GND

Terminal 72 PT1000/DIN 12
 Terminal 73 PT1000/DIN 13
 Terminal 74 PT1000/DIN 14
 Terminal 75 PT1000/DIN 15
 Terminal 76 PT1000/DIN 16
 Terminal 77 PT1000/DIN 17
 Terminal 78 PT1000/DIN 18
 Terminal 79 PT1000/DIN 19
 Terminal 80 PT1000/DIN 20
 Terminal 81 PT1000/DIN 21
 Terminal 82 PT1000/DIN 22
 Terminal 83 PT1000/DIN 23
 GND

Terminal C 230VAC oder 24VDC
 Terminal 9 DOUT 9
 Terminal 10 DOUT 10
 Terminal 11 DOUT 11
 Terminal 12 DOUT 12
 Terminal C 230VAC or 24VDC
 Terminal D 230VAC or 24VDC
 Terminal 13 DOUT 13
 Terminal 14 DOUT 14
 Terminal 15 DOUT 15
 Terminal 16 DOUT 16
 Terminal D 230VAC or 24VDC



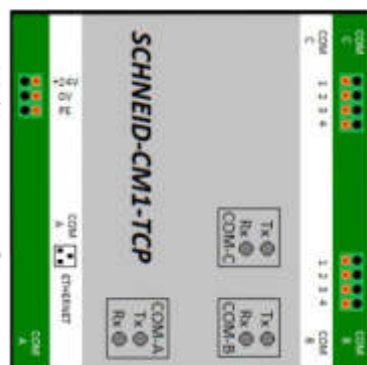
Terminal F 230VAC or 24VDC
 Terminal 21 DOUT 21
 Terminal 22 DOUT 22
 Terminal 23 DOUT 23
 Terminal 24 DOUT 24
 Terminal F 230VAC or 24VDC

Terminal E 230VAC or 24VDC
 Terminal 17 DOUT 17
 Terminal 18 DOUT 18
 Terminal 19 DOUT 19
 Terminal 20 DOUT 20
 Terminal E 230VAC or 24VDC

Terminal G 230VAC or 24VDC
 Terminal 25 DOUT 25
 Terminal 26 DOUT 26
 Terminal 27 DOUT 27
 Terminal 28 DOUT 28
 Terminal G 230VAC or 24VDC

+24VDC: Supply 24V
 0V
 PE

COM-A TCP/IP



Terminal 1: COM-C D+
 Terminal 2: COM-C D-
 Terminal 3: COM-C D+
 Terminal 4: COM-C D-

Terminal 1: COM-B MB+
 Terminal 2: COM-B MB-
 Terminal 3: COM-B MB+
 Terminal 4: COM-B MB-