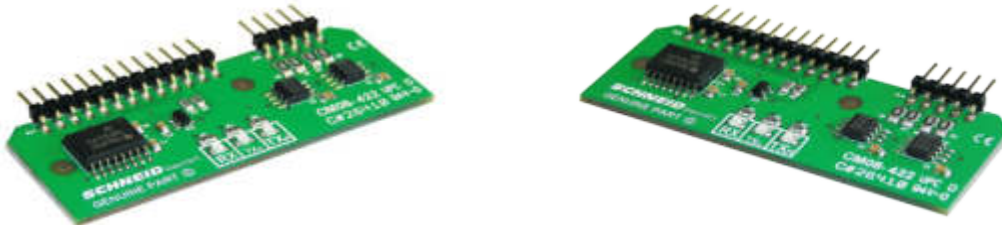


Plug-in card module CM08-422

SCHNEID Plug-in card module CM08-422

for SCHNEID-Communication base modules

Order number:	130.13975
Order code:	Steckkartenmodul CM08-422



Overview:

The SCHNEID plug-in card module CM08-422 is only suitable for the SCHNEID communication basic modules of the module control series.

With this plug-in module card, the control device can be integrated into an RS422 data network.
Maximum baud rate 115200

Connection diagram:

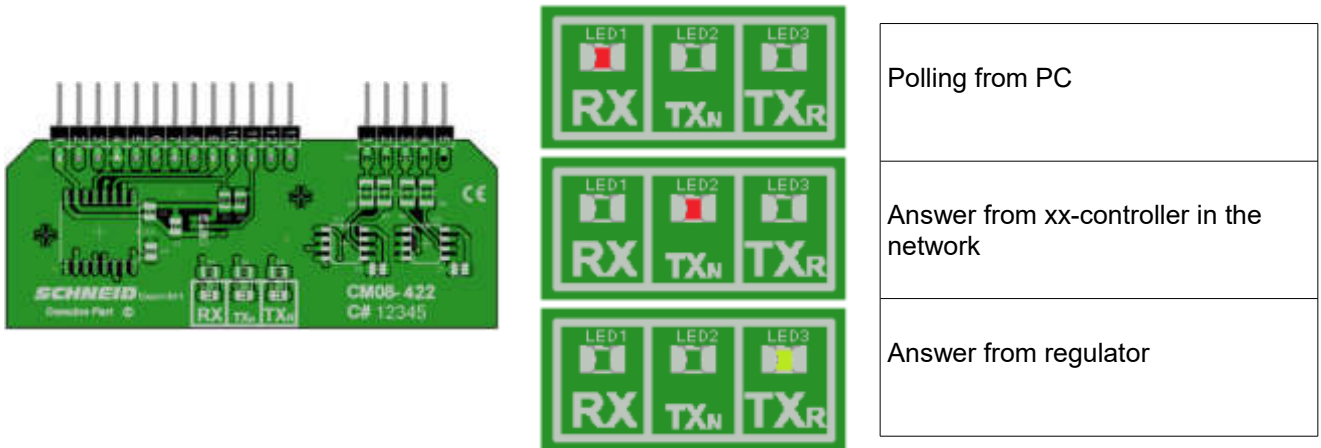
The terminal assignment refers to the respective slot.

COM-A	Clamps A1-A4
COM-B	Clamps B1-B4
COM-C	Clamps C1-C4

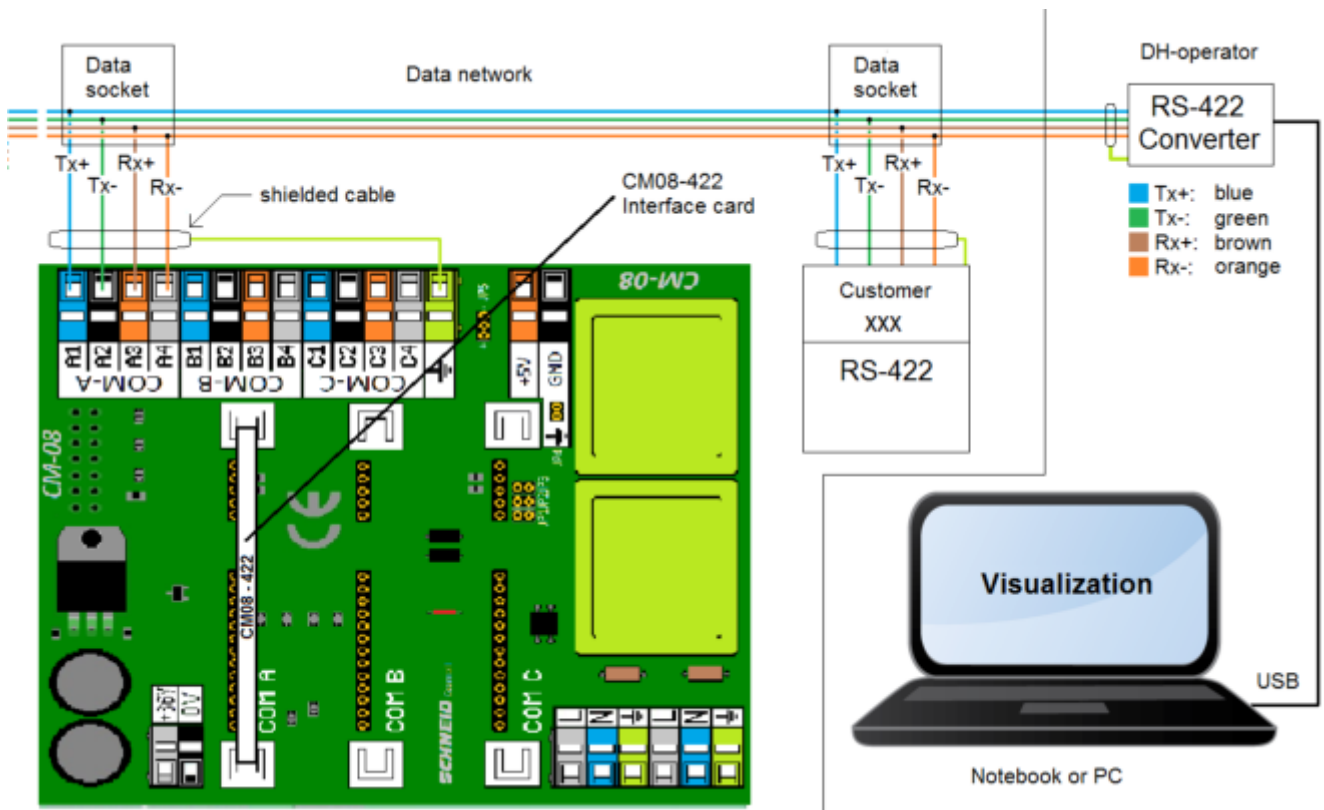
Connection to terminals:

1	TX+
2	TX-
3	RX+
4	RX-

Plug-in card module CM08-422



Polling from PC
Answer from xx-controller in the network
Answer from regulator



Plug-in card module CM08-422

Scope of delivery:

SCHNEID plug-in card module CM08-422

Technical specifications:

Intrastat Number	8537.10.91.90
Country of origin	EU/AT
Height, width, depth (in mm)	32x65x6
Weight in (in kg)	0,008
Degree of protection	IP-00
Ambient temperature	0°C....+40°C
Operating voltage	5VDC
Power consumption	25mA
Max baud rate	115200 Bit/s
Connection type	Pin headers for base module
Mounting type	Plug-in card module
Operating time	Continuous operation
Degree of pollution	2