

# DINrail and components

## DIN rail Cover für MR07/MR08/MR12

Order number: 400.13542

Order code: DINRail-Cover für MR07/MR08/MR12

## DIN rail Clip

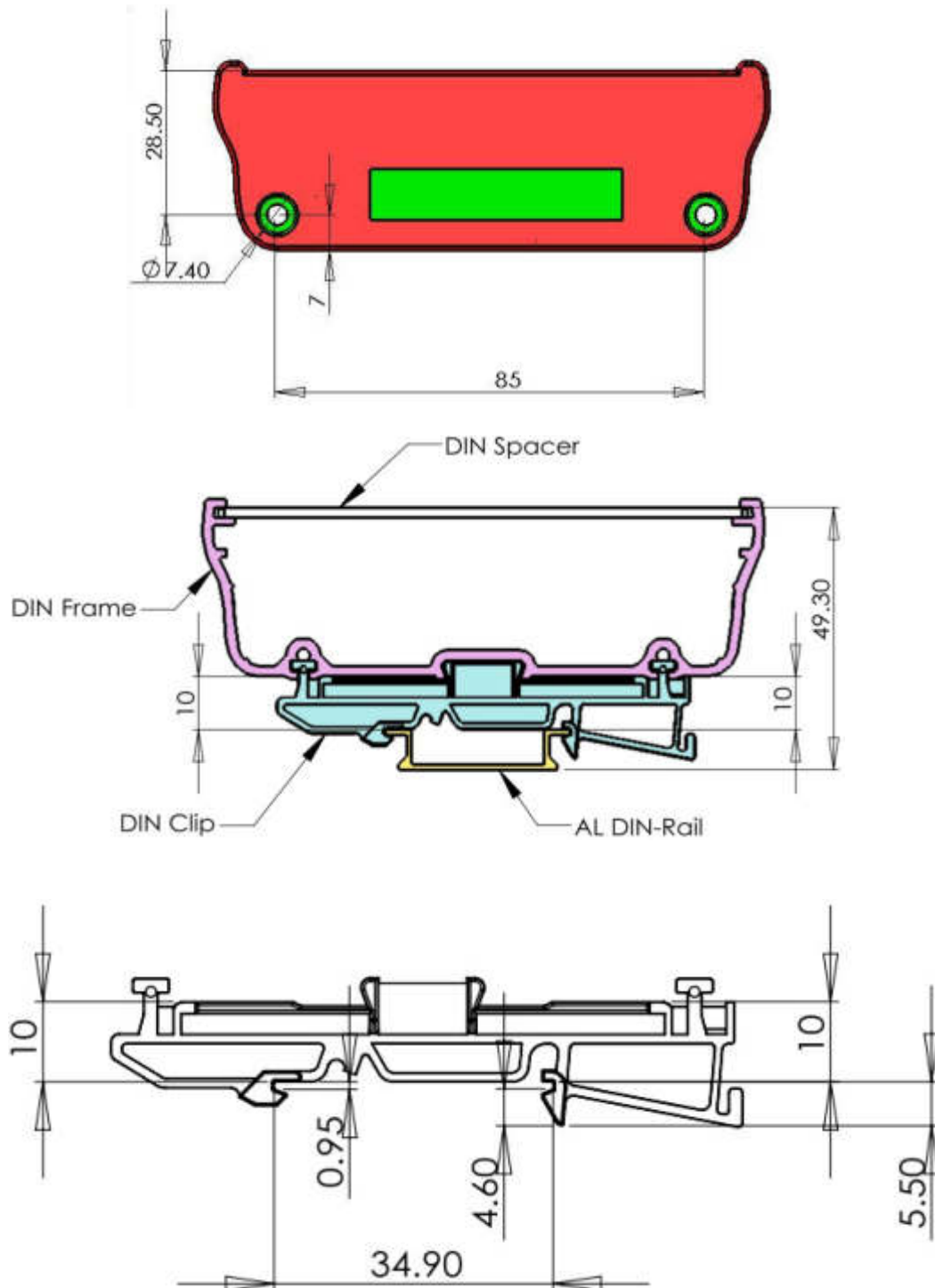
Order number: 400.13544

Order code: DINRail-Clip

## DIN rail Spacer

Order number: 400.13545

Order code: DINRail-Spacer



# DINrail and components

## Scope of delivery:

According to the order of the individual components.

## Technical specifications:

Intrastat Number:	9403.10.93.00
Country of origin	EU/AT
Height, width, depth (in mm) Rail:	295x103,5x35 395x103,5x35 420x103,5x35 600x103,5x35 1000x103,5x35
Cover:	9,5x111x37,5
Spacer:	40x100x1,5
Clip:	16x80x18,5
Weight (in kg)	
Rail 295:	0,204
Rail 395:	0,273
Rail 420:	0,29
Rail 600:	0,414
Rail 1000:	0,690
Cover: (without screws)	0,012
Spacer:	0,006
Clip:	0,005
Temperature range under normal conditions	-25° C / +40° C

