

Terminal box 4-pin

SCHNEID 4-pin terminal box for FSS-SCHNEID systems
with integrated surge arrester module four-pole.

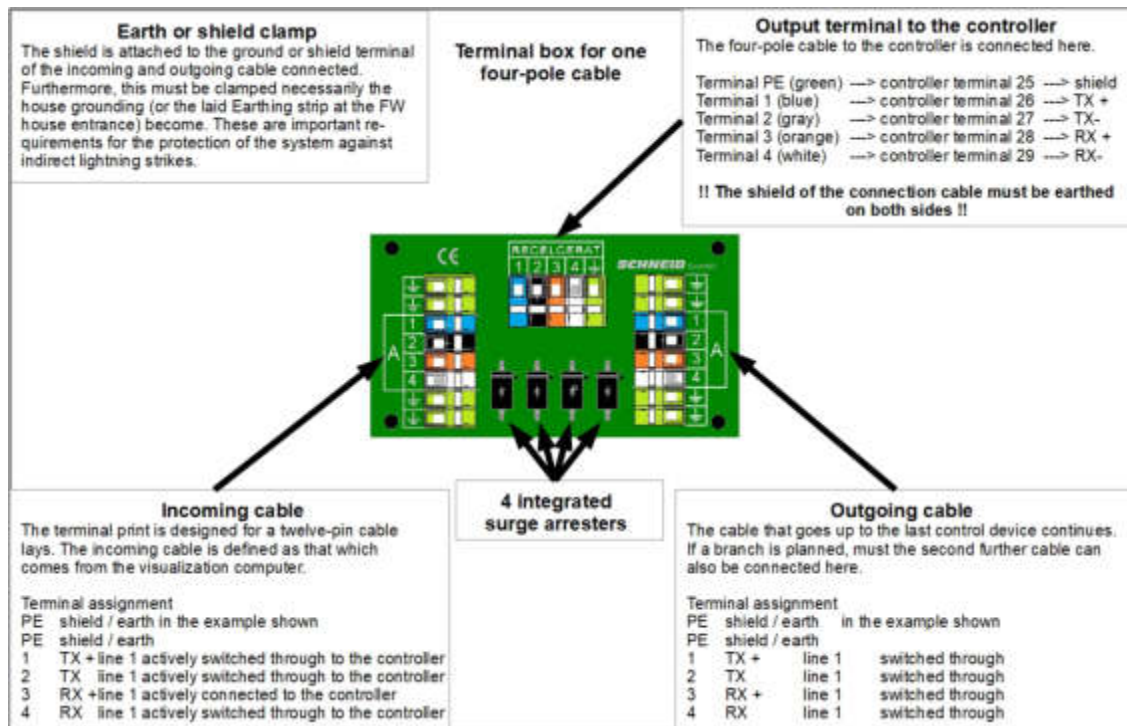
Order number:	020.11730
Order code:	Anklemmdose 4polig für FSS-SCHNEID Systeme



Overview:

The SCHNEID terminal box 4-pin is used to clamp the ground data cable according to the specifications for networks (for more details see www.schneid.at). Furthermore, all necessary arrester modules and protective devices for the precautions to protect the network from indirect lightning strikes are integrated in the box.

Terminal plan:



Terminal box 4-pin

Scope of delivery:

SCHNEID terminal box 4-pole for FSS-SCHNEID systems with integrated overvoltage module, 4-pole.

Terminal plan:

Intrastat Number	8537.10.91.90
Country of origin	EU/AT
Height, width, depth (in mm)	127x170x83
Weight (in kg)	0,282
Degree of protection	IP-65
Ambient temperature	0°C....+40°C
Breakdown Voltage V_{BR}	9,5 – 10,5V
Maximum Clamping Voltage V_C	14,5V
Maximum Peak Pulse I_{PPM}	103A
Peak Pulse Power (10/1000 μ s)	1500W
Connection type	Fixed wiring terminals
Connection technology	Spring clamp
Cable cross-section	Max. 2.5mm ²
Mounting type	Wall mounting
Operating time	Continuous operation
Degree of pollution	2